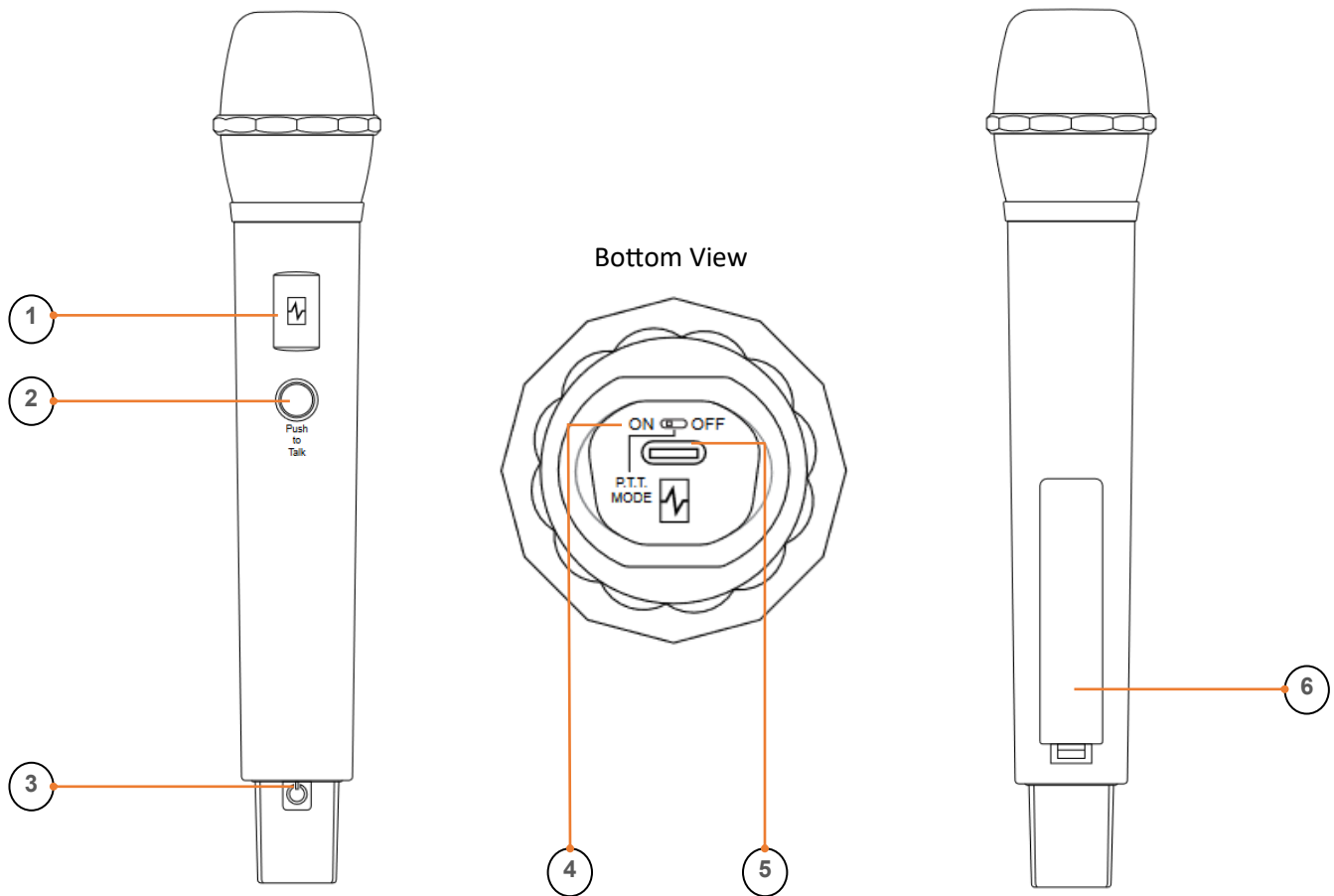


User Guide: OM-20

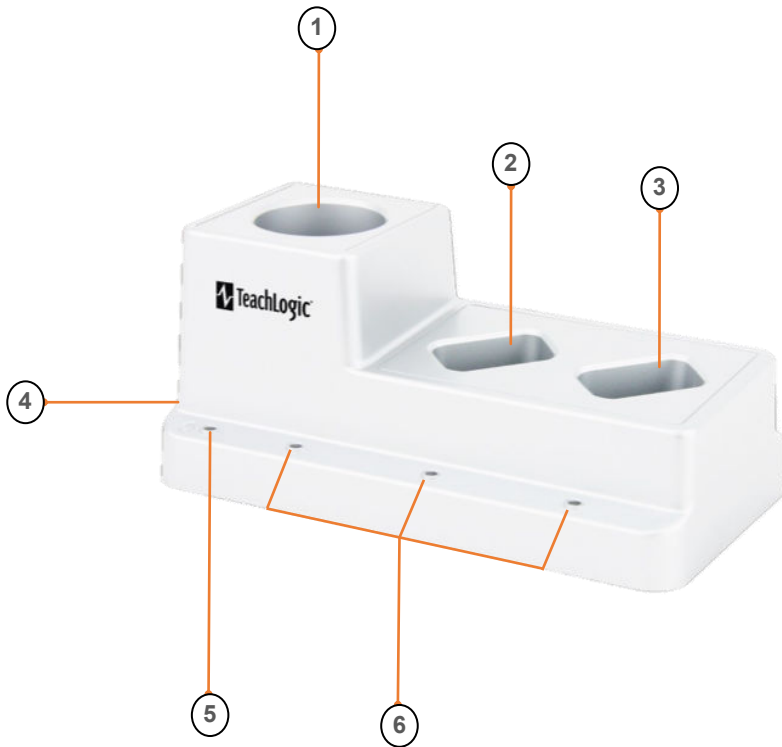
TeachLogic’s Ovation Handheld Microphone (OM-20) is a wireless mic that uses special DECT (Digital Enhanced Cordless Telecommunications) radio technology to transmit crystal clear audio throughout your classroom. With its secure connection, robust design and simple to use features, the OM-20 is perfect for any classroom. Together with the compatible TeachLogic amplifier/ receiver (the OA-50), you can be sure every student can accurately and effortlessly hear comments, questions, and answers from their fellow classmate no matter where they are in the classroom.

DIAGRAM 1: OM-20 Controls and Features



- | | |
|------------------------------------|------------------------------|
| 1. Logo Window and Indicator Light | 4. PTT ON / OFF Switch |
| 2. Push to Talk (PTT) Button | 5. USB-C Charging Port |
| 3. Power Button ON / OFF | 6. Battery Compartment Cover |

DIAGRAM 2: OC-20 Features and Indicator Lights



1. OC-20 USB-C Charging Dock
2. OM-10 Micro-USB Charging Dock
3. OM-10 Micro-USB Charging Dock
4. Micro-USB Power Port for OC-20
5. OC-20 Power Indicator Light
6. Charging Dock Indicator Lights

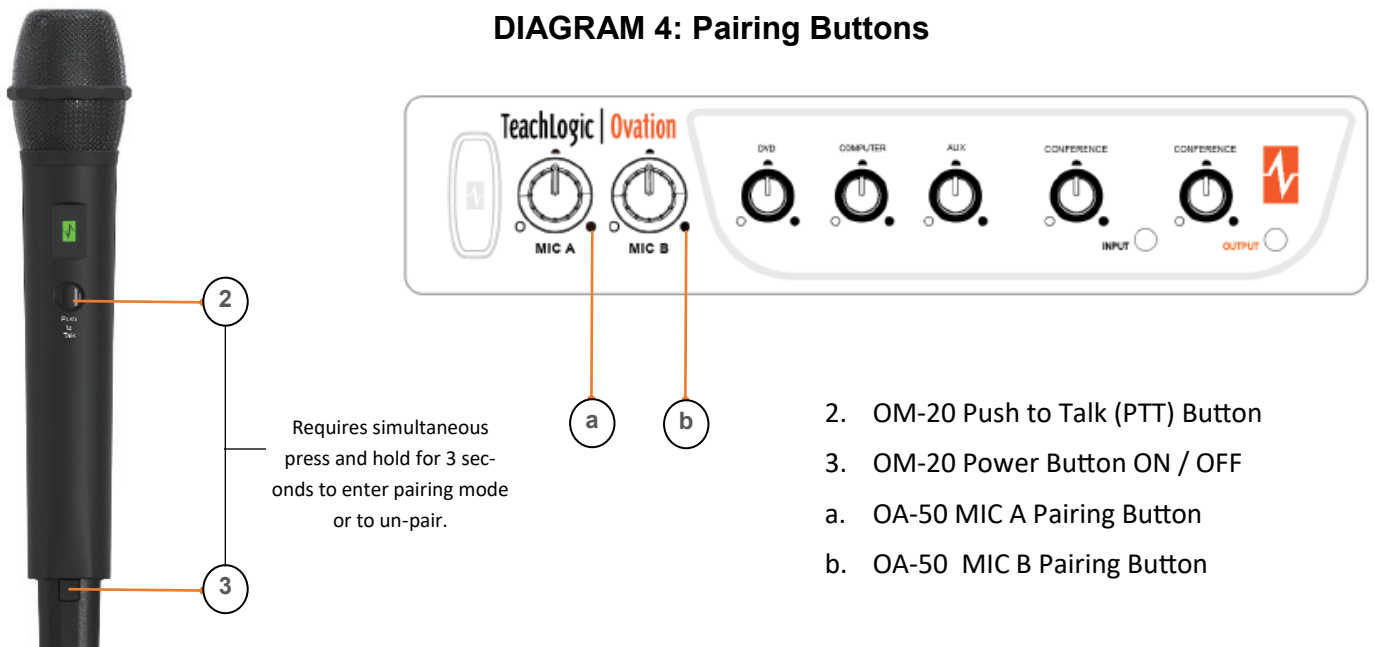
DIAGRAM 3: Battery Orientation



1. Battery Shaped Space Filler (No Charge)
2. Rechargeable 3.7V Li-ion Battery Cell

Note that the blue space filler should be inserted into the battery compartment first, followed by the rechargeable Li-ion

DIAGRAM 4: Pairing Buttons



Requires simultaneous press and hold for 3 seconds to enter pairing mode or to un-pair.

2. OM-20 Push to Talk (PTT) Button
3. OM-20 Power Button ON / OFF
- a. OA-50 MIC A Pairing Button
- b. OA-50 MIC B Pairing Button

Initial Setup

Batteries

- The OM-20 uses a special rechargeable Lithium-ion battery and a second battery-shaped space filler (a “dummy”) in the battery compartment. The dummy does not hold a charge. It is important to use the dummy along with a single Li-ion battery to ensure the mic is not overpowered. Do not install two Li-ion batteries. [Production units will have a single cell only.]
- Only use a Lithium battery provided by TeachLogic. Do not use other Lithium batteries such as 1.5V-1.7V USB chargeable cells. Do not use nickel metal hydride (NiMH) or alkaline batteries. The charging intelligence of the mic is designed for a single 3.7V Li-ion cell.
- To install battery refer to *Diagram 3: Battery Orientation* along with the following instructions. Load the Li-ion cell and the dummy in the battery compartment with the Li-ion cell’s positive (+) terminal towards the bottom of the microphone. The dummy’s small tip end should point in the same direction as the positive (+) terminal (contacting the Li-ion cell’s negative (-) end).

How to Charge your OM-20

- ◇ **Battery Life:** The OM-20’s battery life is approximately 8 hours of active use on a full charge. If your mic battery is low, the mic logo window will display a solid red light when it has 10% battery life remaining. When critically low (last 5% of battery life) the red light will blink. Both indicate it is time to charge your mic.
- ◇ **Battery Replacement:** If you notice your OM-20 is no longer holding a sufficient charge, it may be time to replace your battery. For instructions on how to replace your battery see “Batteries” section above.
- There are two ways to charge your OM-20 mic, either use the TeachLogic Charging Stand (OC-20) or use the TeachLogic USB-C charging block and cable (BRC-25), refer to *Diagrams 2 and 3* along with the following instructions.
 - If using the Charging Stand (OC-20), ensure your mic is facing forward and gently lower it into the charging port. Gently press down on the mic until it clicks into place and the mic logo button begins to blink green. The charging dock indicator light will slowly blink blue under the mic that is charging, indicating that the OC-20 is providing charging power to the mic.
 - It is very important to ensure that the mic is properly aligned in the charging port before exerting any “plug in” force. Very little force is needed when the mic is lined up properly. Forcing the mic into a charger when misaligned can break either the mic, the charger, or both.
 - Within a few hours, the mic will be fully charged and the logo button on the mic will be solid green to indicate this. Soon thereafter, the charger will stop providing power and the slow blinking blue light on the OC-20 charger will turn off. One hour later, the mic will power off automatically.
 - You can also charge your OM-20 with a separate USB-C cable by inserting the cable’s plug into the charging port on the bottom of your mic. If using this method, do not leave the cable plugged in for more than two days at a time or you will risk shortening your battery’s life. If able, unplug it when fully charged which should take no more than six hours.
Note: The microphone will be powered on anytime it is connected to charging power, but it cannot be used to transmit audio while charging.

Pairing Mic to Receiver - ChA or ChB

- ◇ **What is Pairing?** Since the OM-20 mic is compatible with any OA-50, and there may be many of both products in your building, it is important to associate your mic to the specific receiver in your classroom. This associating is called pairing. In pairing your OM-20 and OA-50, you will be telling your mic to communicate with your specific receiver and not another down the hall.
- ◇ **Choosing the right channel:** On your OA-50, there are two channels to which you can pair with your microphone, A and B. Usually, the teacher microphone will be paired as MIC A while the student microphone is paired as MIC B.
- **To pair, both the mic and receiver (OA-50) will need to be in pairing mode. To do this, refer to *Diagram 4* and the below instructions.**
 - 1) Press both the center PTT button below the logo window and the power button at the same time and hold both for 3 seconds.
 - This will initiate the pairing mode for your microphone, and it will begin fast-flashing green. It will stay in this pairing mode for 1 minute or until paired.
 - 2) During this time, press and hold the pairing button on the OA-50 next to the MIC channel you’d like to pair with (or on the OP-10 wall panel if installed) for 3 seconds.
 - This pairing button will illuminate and start fast-flashing green indicating it has entered the pairing mode. It will stay in this pairing mode for 1 minute.
 - 3) While both units are in pairing mode, they will search for each other and become paired. Once the pairing has been established, the mic logo window will turn solid blue and the OA-50 pairing button solid green. Your mic is now paired and connected, ready to be used with your TeachLogic system.

Pairing vs Connecting

- Pairing your mic and receiver creates a sustained link between the two. Your mic and OA-50 will each remember its pairing even after being turned off and on. The act of pairing does not need to be repeated each time you use your mic. Each mic and receiver channel is paired to at most one other device.
- Connecting is when data transmits between the two paired devices. When connected, the two devices are communicating with each other, allowing audio to be passed through and heard. Your mic will automatically connect to your OA-50 each time they are both on.

Un-pairing your Mic

- You may wish to un-pair your mic from your receiver if you want to stop using your mic with that system. There are two methods.
 - 1) To unpair your mic from your OA-50, press the center PTT button below the logo window and the power button at the same time and hold both for 3 seconds.
 - 2) Press the MIC A or MIC B pairing button on OA-50 and hold for 3 seconds.
- The mic logo button will turn yellow indicating it is not paired. It will stop transmitting audio. The OA-50 pair light will stop illuminating.

Using your OM-20

Turning your Microphone On and Off

- Tap the power button located at the bottom center of your mic to turn it on. The mic logo window light will briefly flash green then turn either solid blue (if paired) or solid yellow (if unpaired).
- To pair the OM-20 microphone to your OA-50 see “Pairing Mic to Receiver” above.
- To turn your mic off, press and hold the power button for 3 seconds. No lights should display when mic is off.

Push To Talk or “PTT” Mode

- You may wish to use PTT mode in your classroom to avoid unnecessary rustling noise when students are passing around the OM-20. To use this feature, you must first switch your OM-20 into PTT mode.
 - 1) On the bottom of the OM-20 is a small switch flush with the bottom of the mic. With the mic front side facing up, slide the switch to the left to turn PTT mode on.
 - 2) With the PTT mode on, the user must push and hold down the main center button for the mic to pick up their voice. When the main center button is not being pressed, the mic is silenced.
 - 3) To turn PTT mode off, slide the same switch on the bottom of the OM-20 to the right. The mic will then be active continuously with no need to use the button.

Cleaning your Mic

- Periodic cleaning of the microphone is recommended to avoid the buildup of common contaminants like dust, lint, dirt, makeup, and oil. These can clog the windscreen and prevent it from working well.
- Remove dust & lint build up with a light spray of canned compressed air or a dust cloth.
- Use a disinfectant wipe to clean leftover build up that did not come off by dusting. Use extra care around the sensitive areas (charging port, windscreen, and logo button). Take care not to use a wipe with any excess liquid content that could enter the openings.
- Dry with a soft, lint-free cloth.

Auto Shut-off Times

- If mic is left on while paired with no audio activity, it will automatically shut off after 1 hour.
- If mic is left on while unpaired, it will automatically shut off after 5 minutes.

FCC compliance statement:

Contains Transmitter Module FCC ID: Y82-DA14AVD / IC ID: 9576A-DA14AVD

This device complies with Part 15 of the FCC Rules.

Operation is subject to the following two conditions: (1) this device may not cause harmful interference, and (2) this device must accept any interference received, including interference that may cause undesired operation of the device.

Changes or modifications to the equipment not expressly approved by the Party responsible for compliance could void the user's authority to operate the equipment.

Note: This equipment has been tested and found to comply with the limits for a Class B digital device, pursuant to part 15 of the FCC Rules. These limits are designed to provide reasonable protection against harmful interference in a residential installation. This equipment generates, uses and can radiate radio frequency energy and, if not installed and used in accordance with the instructions, may cause harmful interference to radio communications. However, there is no guarantee that interference will not occur in a particular installation. If this equipment does cause harmful interference to radio or television reception, which can be determined by turning the equipment off and on, the user is encouraged to try to correct the interference by one or more of the following measures:

- Reorient or relocate the receiving antenna.
- Increase the separation between the equipment and receiver.
- Connect the equipment into an outlet on a circuit different from that to which the receiver is connected.
- Consult the dealer or an experienced radio/TV technician for help.
- Privacy of communications may not be ensured when using this device.

